



**ARTMAN**  
DELTA

A passion for accuracy and detail

# Kentron V3B Kukri IR Air-to-Air Missile and Launch Rail

## Building Instructions and Colour Callouts

### Colour Callouts:

#### Launch Rail

Humbrol - 126

Tamiya - XF-20

Mr. Color - C306

Vallejo - 70,870

#### V3B Kukri Missile

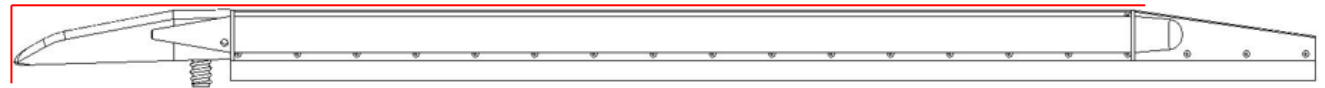
Humbrol - 80% 71 + 20% 126

Tamiya -

Mr. Color - 80% C45 + 20% C306

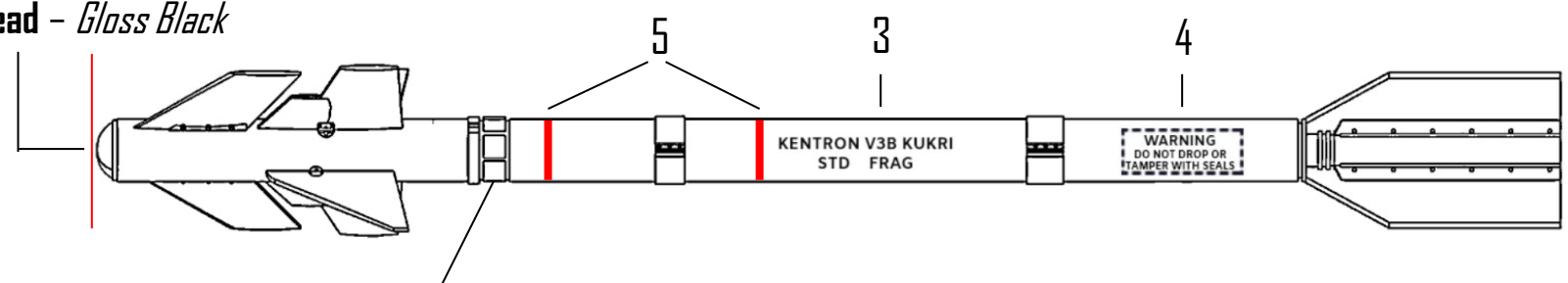
Vallejo - 80% 70.976 + 20% 70,870

*Remove the print supports on the other side of the red lines*



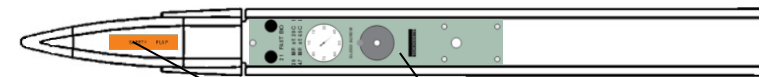
**Seeker Head** - *Gloss Black*

**Missile Bottom**

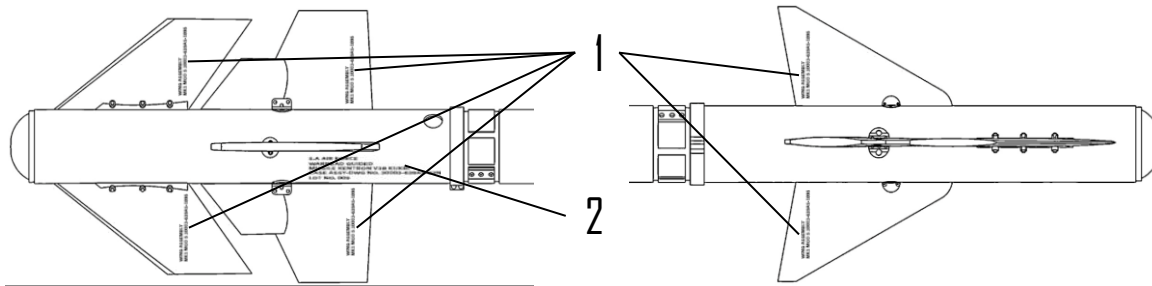


**Missile Proximity Fuze** - *Gunmetal Grey with Silver Panel Line Wash*

**Launch Rail Top**



**Top Left**



For in depth research, information and photos, see the **ArtMan Delta** Info Pack for the Kentron V3B Kukri IR Air-to-Air Missile and Launcher on the **ArtMan Delta Facebook Page**





**AD32003** – Designed to be used on: 1:32 Dassault Mirage IIICZ/DZ/D2Z/EZ/RZ/R2Z and Atlas Cheetah B/C/D/E/R

1:32 Dassault Mirage FIAZ/CZ

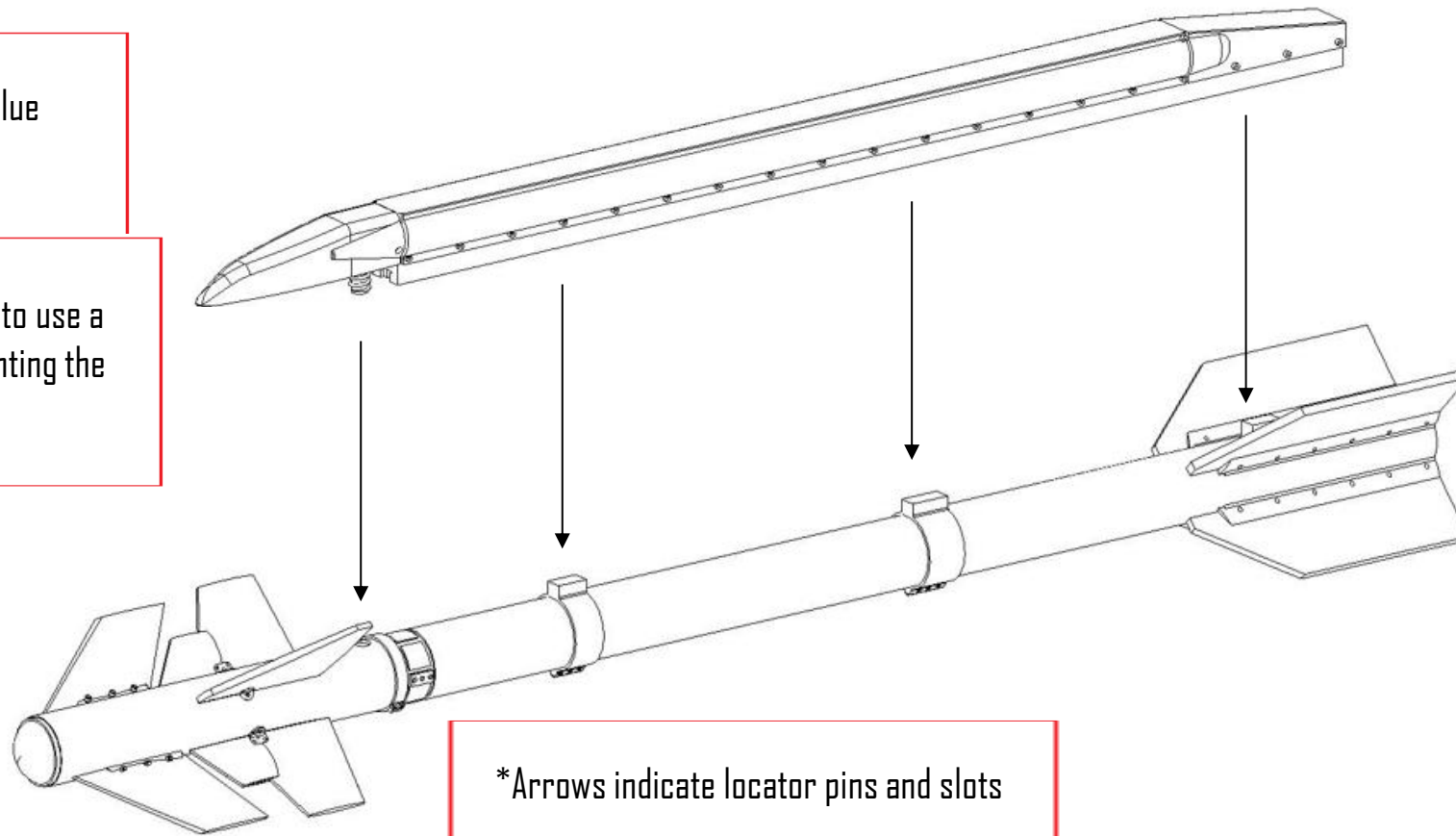
**AD48003** – Designed to be used on: 1:48 Dassault Mirage IIICZ/DZ/D2Z/EZ/RZ/R2Z and Atlas Cheetah B/C/D/E/R

1:48 Dassault Mirage FIAZ/CZ

1:48 Aermacchi MB-326K Impala Mk2

Use cyanoacrylate glue  
to bond the parts  
together

\*It is recommended to use a  
primer prior to painting the  
parts



\*Arrows indicate locator pins and slots

#### WARNING

- This is not a toy.
- These items are not suitable for children.
- Modelling experience is required.
- Always wear eye protection when cutting the resin off any supports.
- Do not breathe the resin dust in as it may be harmful to your health.
- It is recommended to wear breathing protection such as a face mask when handling and cutting/ grinding/ sanding resin.
- Not for consumption, keep away from children and animals.



**ARTMAN**  
DELTA

A passion for accuracy and detail

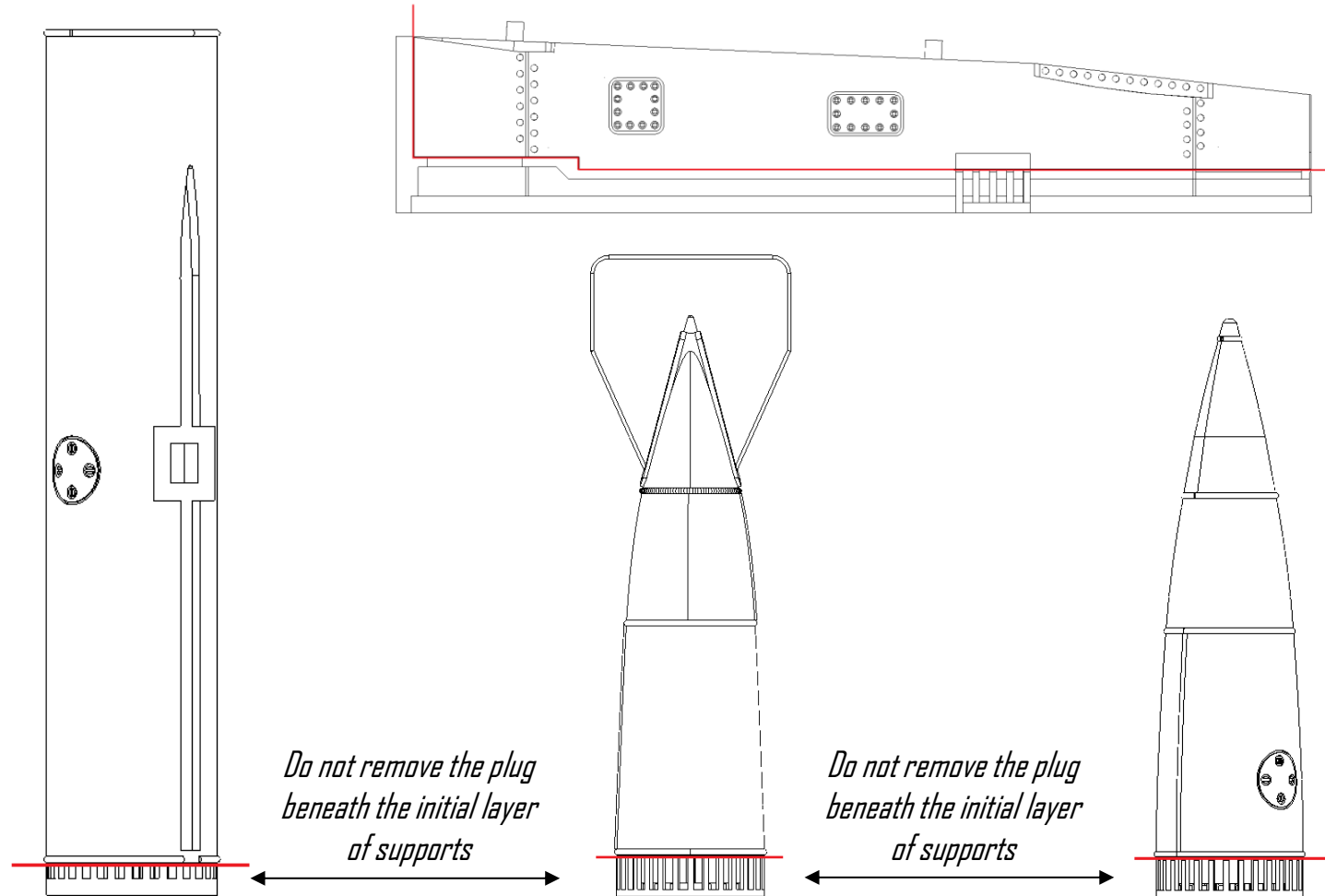
# RP825 Supersonic Centreline Fuel Tank (Early Pylon)

## Building Instructions and Colour Callouts

### Colour Callouts:

**\*See preferred references to decide what colours to use on your RP825 and Pylon**

For in depth research, information and photos, see the **ArtMan Delta Info Pack** for the RP825 Supersonic Centreline Fuel Tank



*Do not remove the plug beneath the initial layer of supports*

*Do not remove the plug beneath the initial layer of supports*

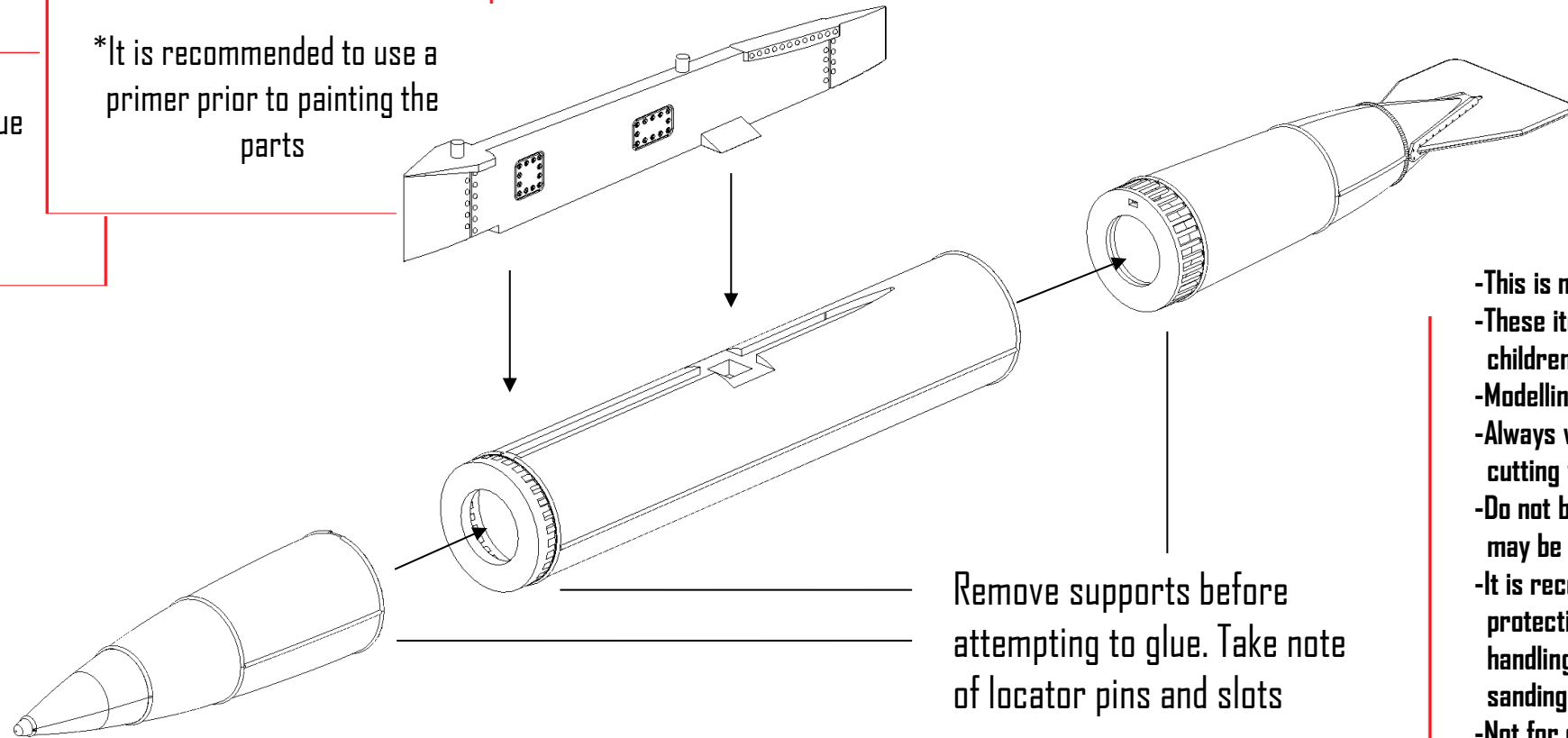
*Remove the print supports below the red lines*



**AD32002** – Designed to be used on Italeri 1:32 Dassault Mirage IIIC and IIIE/R and reboxed Revell 1:32 Dassault Mirage IIIE/RD/O Kits  
**AD48002** – Designed to be used on: Eduard 1:48 Dassault Mirage IIIC and IIICJ Kits  
Kinetic 1:48 Dassault Mirage III/V Kits / Neshar Kits / IAI Kfir Kits and Atlas Cheetah Kits

Use cyanoacrylate glue  
to bond the parts  
together

\*It is recommended to use a  
primer prior to painting the  
parts



Remove supports before  
attempting to glue. Take note  
of locator pins and slots

#### WARNING

- This is not a toy.
- These items are not suitable for children.
- Modelling experience is required.
- Always wear eye protection when cutting the resin off any supports.
- Do not breathe the resin dust in as it may be harmful to your health.
- It is recommended to wear breathing protection such as a face mask when handling and cutting/ grinding/ sanding resin.
- Not for consumption, keep away from children and animals.