



ARTMAN
DELTA

A passion for accuracy and detail

Matra LRF-4 68mm SNEB Rocket Pod

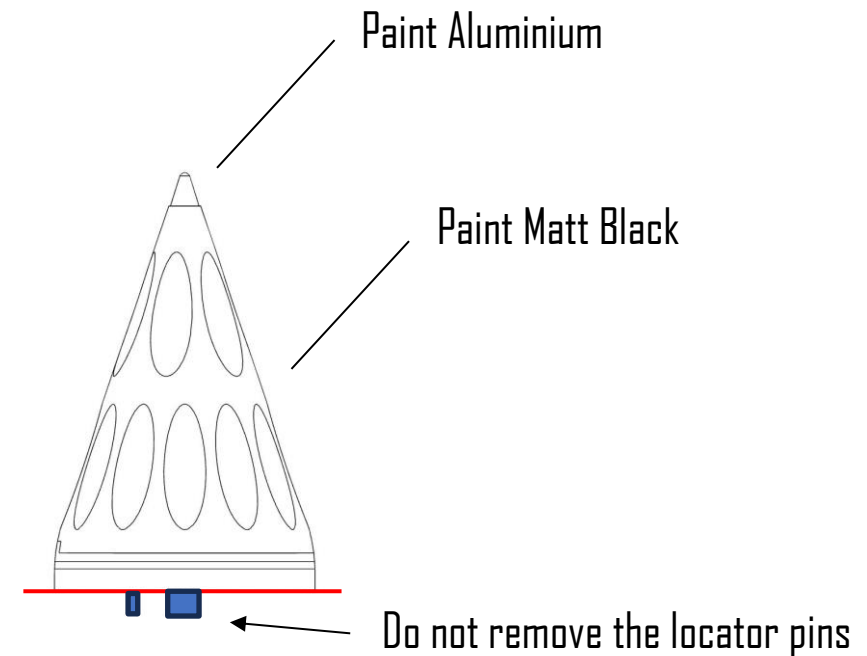
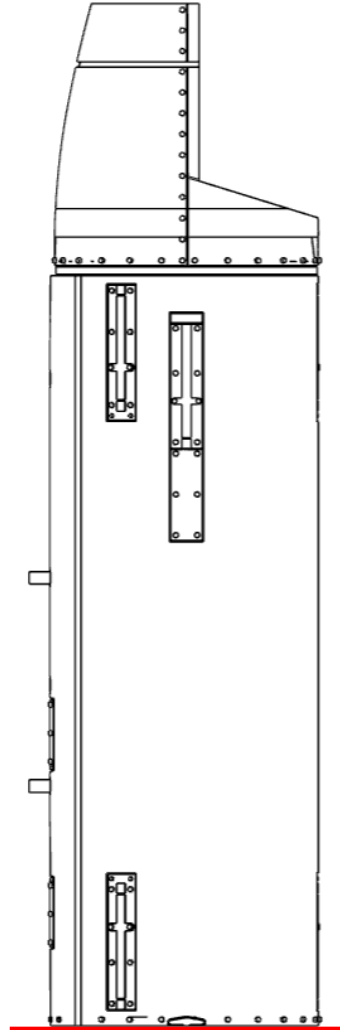
Building Instructions and Colour Callouts

Colour Callouts:

Check reference sources for preferred colours.

The Matra LRF-4 often had a Natural Metal unpainted body but were at times painted in various camouflage colours and patterns.

For in depth research, information and photos, see the **ArtMan Delta Info Pack** for the **Matra LRF-4 Rocket Pod**



Remove the print supports below the red lines

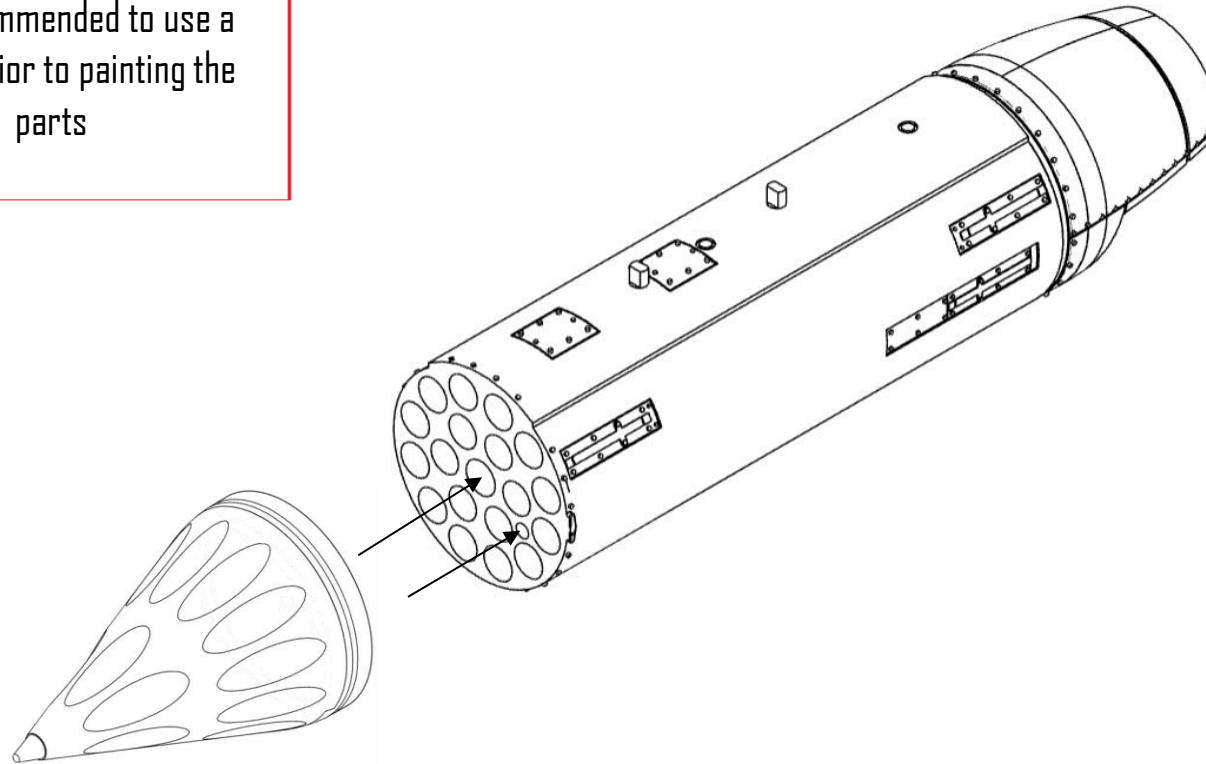


AD32026 – Designed to be used on multiple 1:32 Aircraft
AD48026 – Designed to be used on multiple 1:48 Aircraft

See Product page on www.artmandelta.com for complete list of compatible aircraft that carried the Matra 155 68mm SNEB Rocket Pod

Use cyanoacrylate glue
to bond the parts
together

*It is recommended to use a
primer prior to painting the
parts



WARNING

- This is not a toy.
- These items are not suitable for children.
- Modelling experience is required.
- Always wear eye protection when cutting the resin off any supports.
- Do not breathe the resin dust in as it may be harmful to your health.
- It is recommended to wear breathing protection such as a face mask when handling and cutting/ grinding/ sanding resin.
- Not for consumption, keep away from children and animals.