



# ARTMAN DELTA

A passion for accuracy and detail

# RPK18 110 Gallon Supersonic Underwing Fuel Tanks Building Instructions and Colour Callouts

## Colour Callouts:

**\*See preferred references to decide what colours to use on your RPK18's and Bombs by viewing the RPK18 Info Pack on the ArtMan Delta Facebook page**

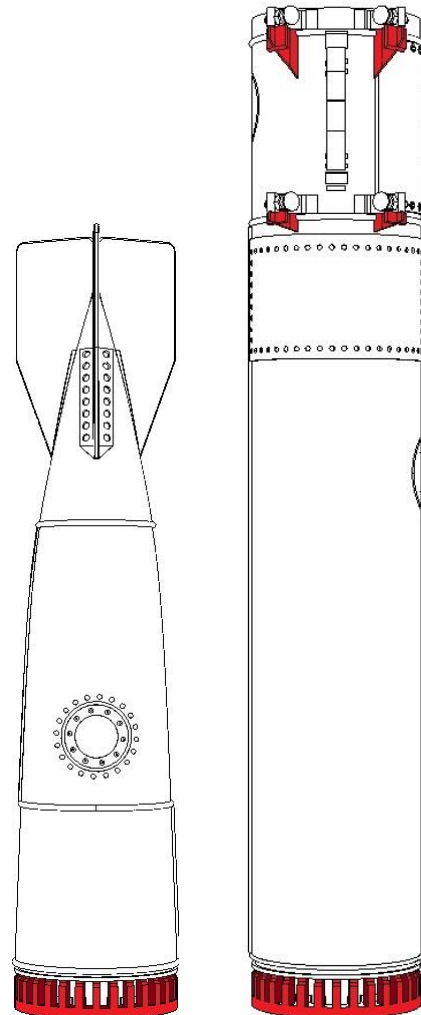
**\*It is recommended to use a primer prior to painting the parts**



Left Hand Tank Outer Pylon Details

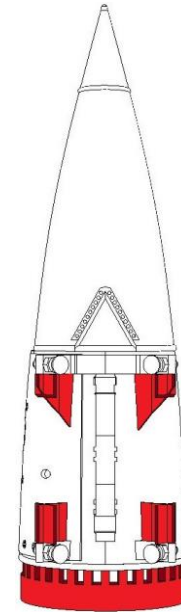
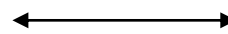


Right Hand Tank Outer Pylon Details

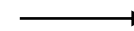


x2

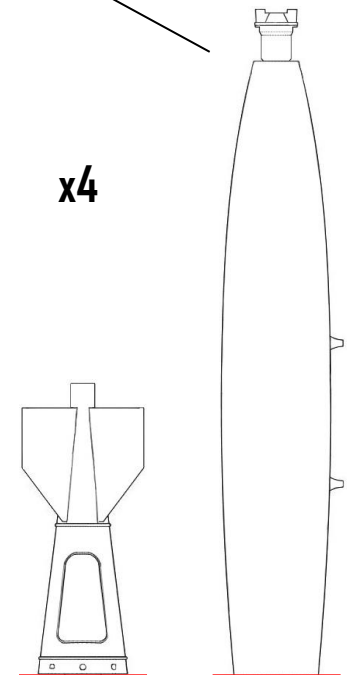
*Do not remove the plug beneath the initial layer of supports*



*Do not remove the plug beneath the initial layer of supports*



x4



Fuse type is dependent on your selected boxing. The M904E3 has been used here for illustration purposes and is not necessarily what is included in your box

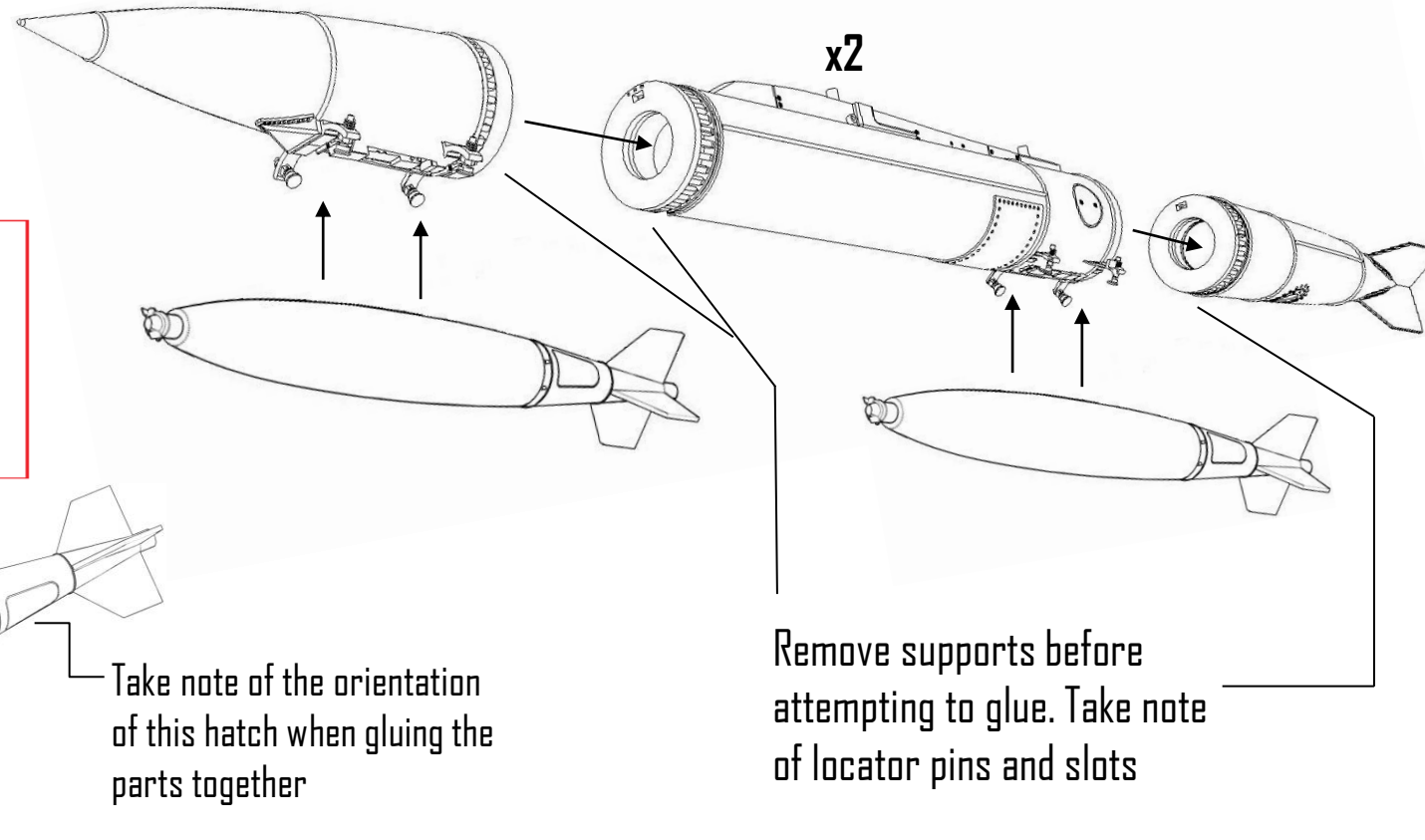
**Remove the print supports highlighted in red or below the red lines**



- AD32006** - Designed to be used on Italeri 1:32 Dassault Mirage IIIC and IIIE/R and reboxed Revell 1:32 Dassault Mirage IIIE/RD/D Kits
- AD48006E** - Designed to be used on Eduard 1:48 Dassault Mirage IIIC and IIICJ Kits
- AD48006K** - Designed to be used on Kinetic 1:48 Dassault Mirage III Kits / Nesher Kits / IAI Kfir Kits and Atlas Cheetah Kits

Use cyanoacrylate glue to bond the parts together

\*It is recommended to use a primer prior to painting the parts



### WARNING

- This is not a toy.
- These items are not suitable for children.
- Modelling experience is required.
- Always wear eye protection when cutting the resin off any supports.
- Do not breathe the resin dust in as it may be harmful to your health.
- It is recommended to wear breathing protection such as a face mask when handling and cutting/grinding/ sanding resin.
- Not for consumption, keep away from children and animals.