



ARTMAN

DELTA

A passion for accuracy and detail

Electronica ACS ELT-555V(3) ECM Pod Building Instructions and Colour Callouts

Colour Callouts:

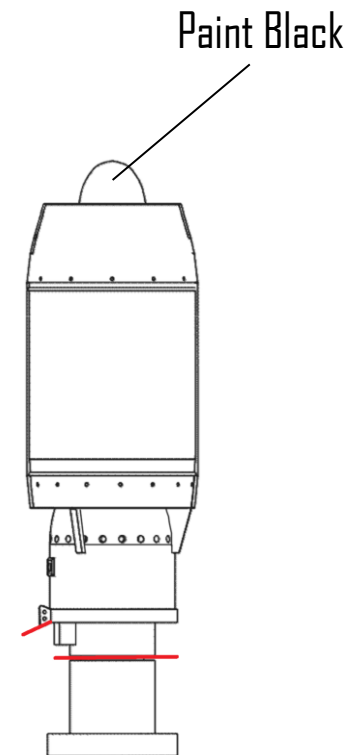
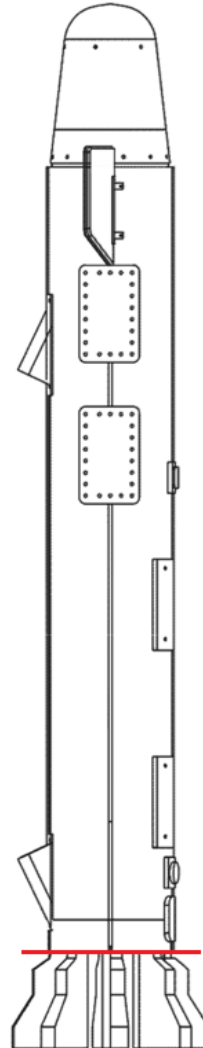
Humbrol- 126

Tamiya - XF-20

Mr. Color- C306

Vallejo - 70,870

For in depth research,
information and photos, see the
ArtMan Delta Info Pack for
the ELT-555



Remove the print supports below the red lines



AD32020 – Designed to be used on 1:32 Northrop F-5E/F Tiger II and III Kits

AD48020 and **AD72020** – Designed to be used on Dassault Mirage F1 Kits

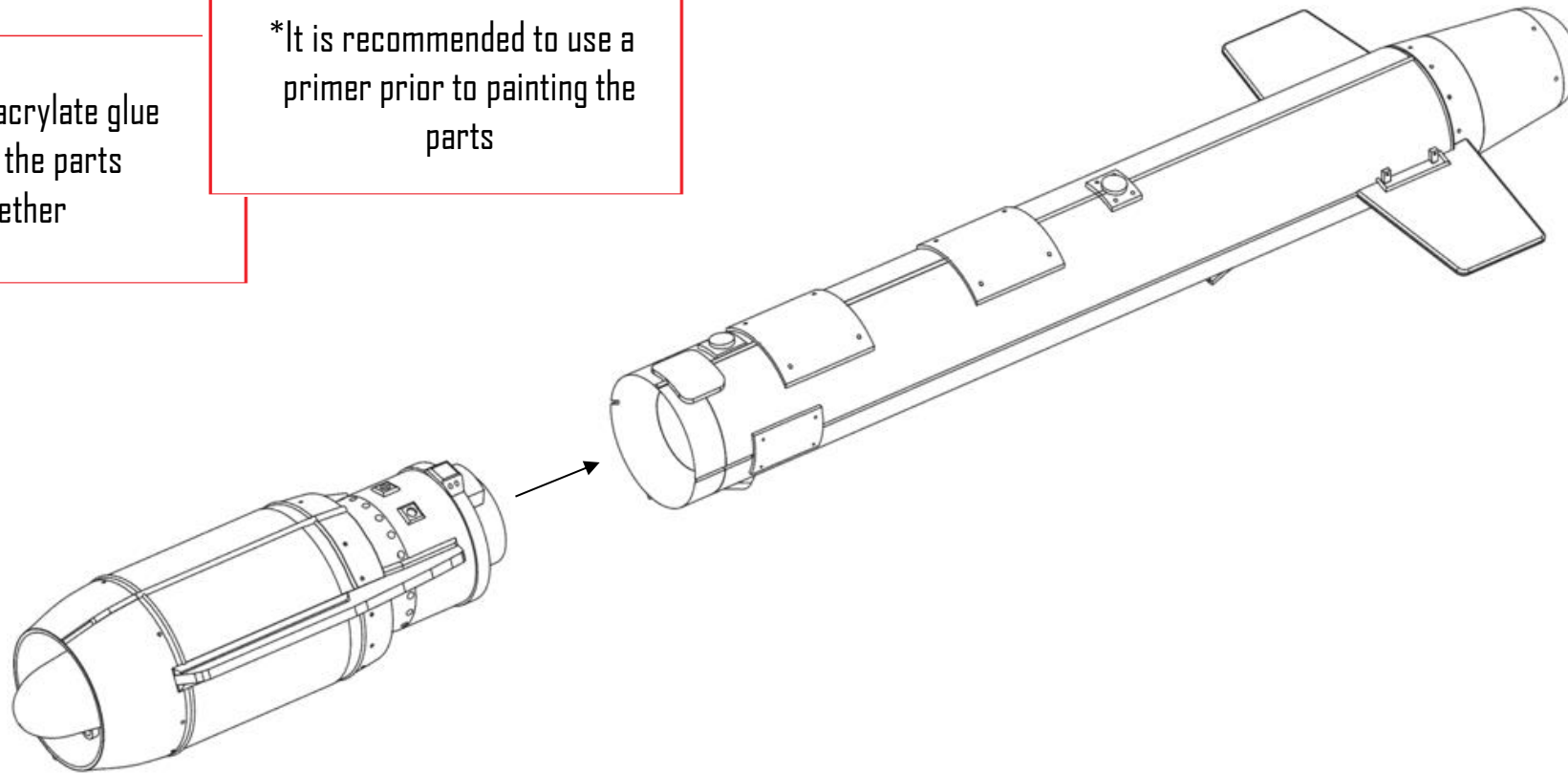
Blackburn Buccaneer S.Mk50

Northrop F-5E/F Tiger II and III Kits

English Electric Canberra

Use cyanoacrylate glue
to bond the parts
together

*It is recommended to use a
primer prior to painting the
parts



WARNING

- This is not a toy.
- These items are not suitable for children.
- Modelling experience is required.
- Always wear eye protection when cutting the resin off any supports.
- Do not breathe the resin dust in as it may be harmful to your health.
- It is recommended to wear breathing protection such as a face mask when handling and cutting/ grinding/ sanding resin.
- Not for consumption, keep away from children and animals.



artmandeltasales@gmail.com



artman.delta



ArtMan Delta

Designed and Manufactured
in South Africa
© Copyright 2024