



# ARTMAN

## DELTA

A passion for accuracy and detail

# Elettronica ACS ELT-555 ECM Pod Building Instructions and Colour Callouts

### Colour Callouts:

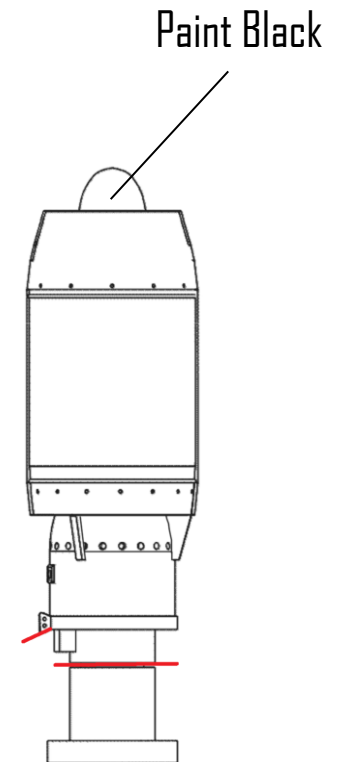
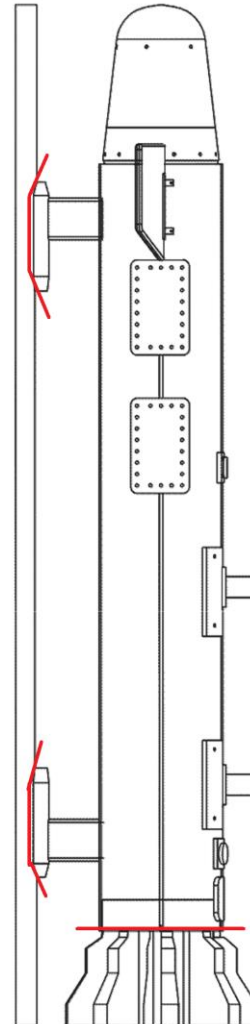
Humbrol- 126

Tamiya - XF-20

Mr. Color- C306

Vallejo - 70,870

For in depth research,  
information and photos, see the  
**ArtMan Delta Info Pack** for  
the ELT-555



*Remove the print supports below the red lines*



**AD32020** – Designed to be used on 1:32 Northrop F-5E/F Tiger II and III Kits

**AD48020** and **AD72020** – Designed to be used on Dassault Mirage F1 Kits

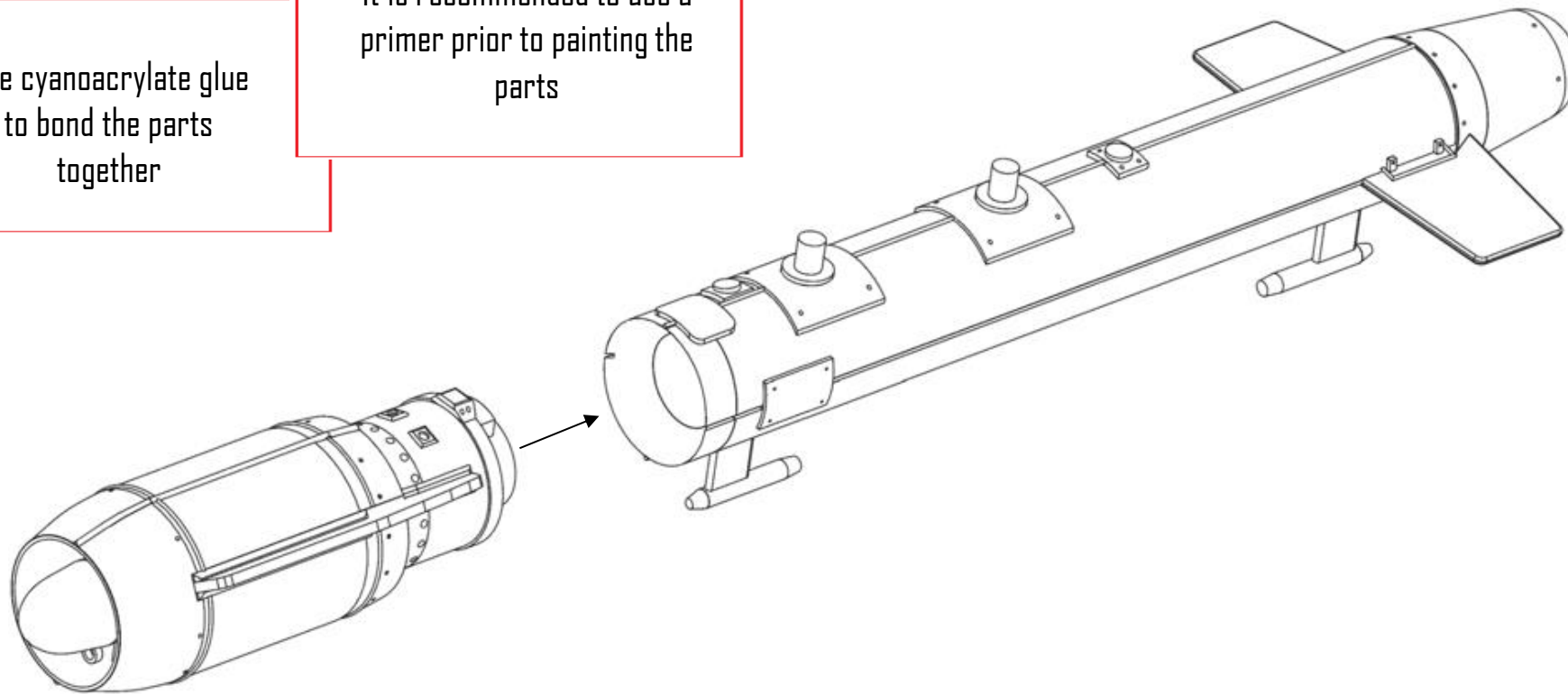
Blackburn Buccaneer S.Mk50

Northrop F-5E/F Tiger II and III Kits

English Electric Canberra

Use cyanoacrylate glue  
to bond the parts  
together

\*It is recommended to use a  
primer prior to painting the  
parts



#### WARNING

- This is not a toy.
- These items are not suitable for children.
- Modelling experience is required.
- Always wear eye protection when cutting the resin off any supports.
- Do not breathe the resin dust in as it may be harmful to your health.
- It is recommended to wear breathing protection such as a face mask when handling and cutting/ grinding/ sanding resin.
- Not for consumption, keep away from children and animals.