



ARTMAN
DELTA

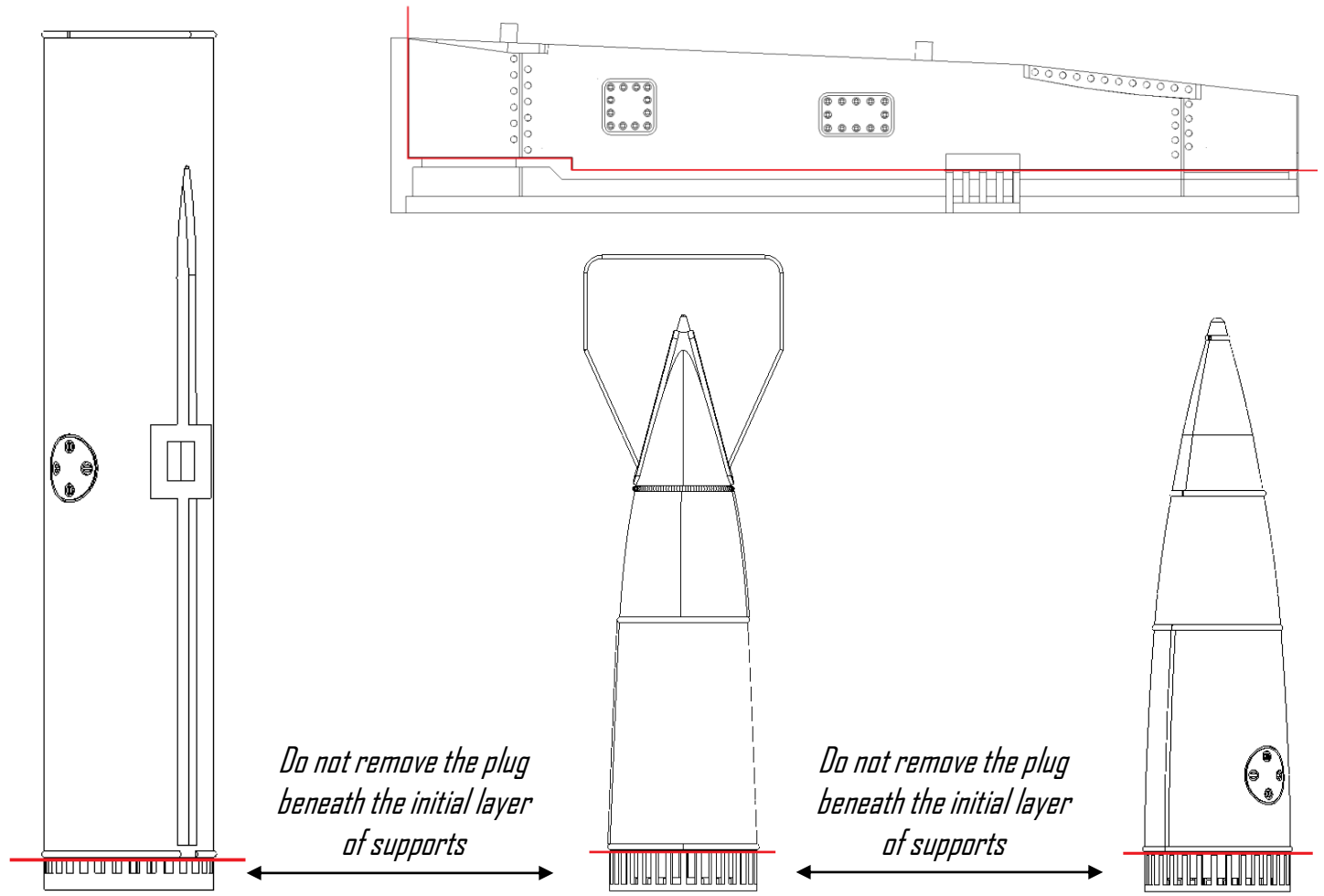
A passion for accuracy and detail

RP825 Supersonic Centreline Fuel Tank (Early Pylon)

Building Instructions and Colour Callouts

Colour Callouts:
***See preferred references to decide what colours to use on your RP825 and Pylon**

For in depth research, information and photos, see the **ArtMan Delta** Info Pack for the RP825 Supersonic Centreline Fuel Tank on the **ArtMan Delta Facebook Page**



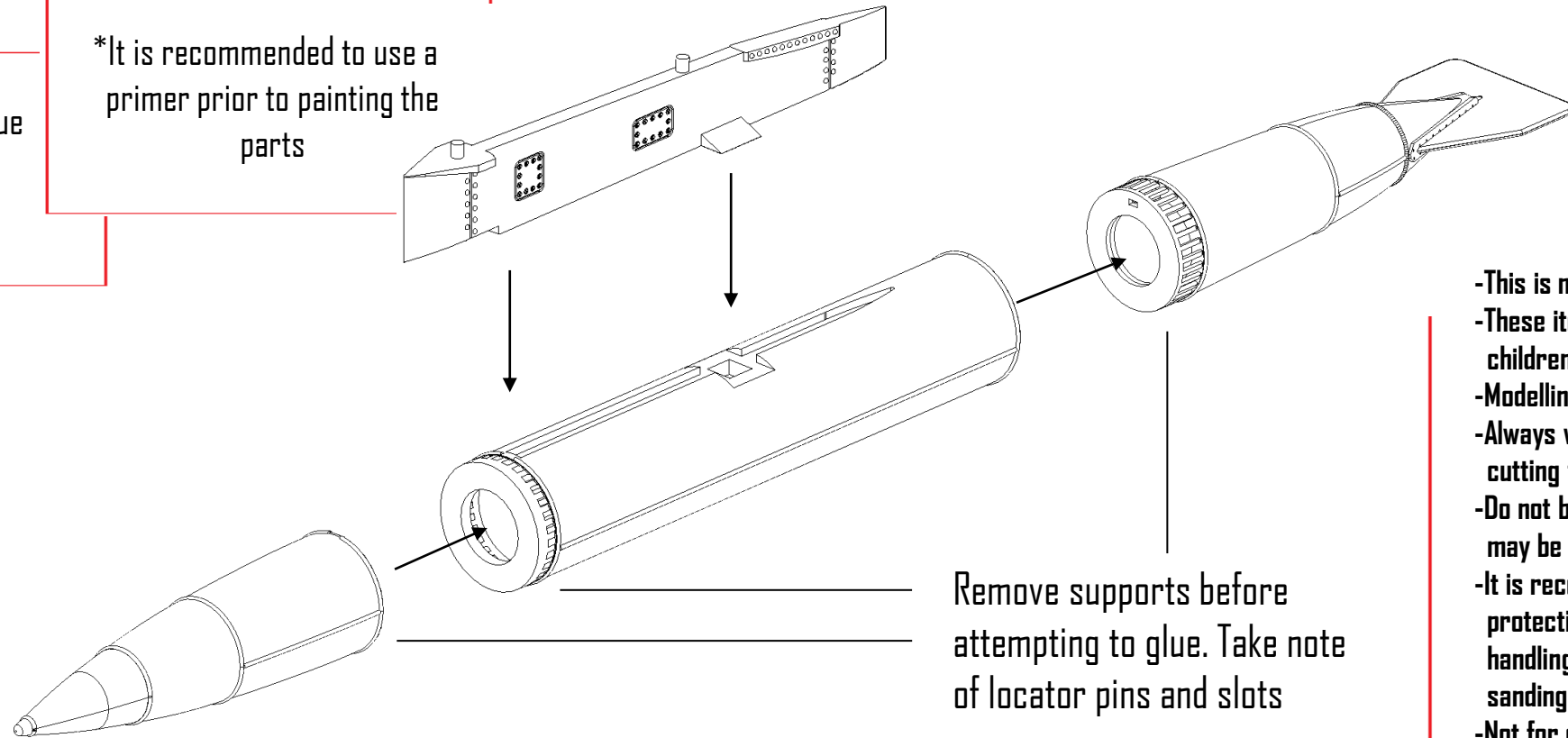
Remove the print supports below the red lines



AD32002 – Designed to be used on Italeri 1:32 Dassault Mirage IIIC and IIIE/R and reboxed Revell 1:32 Dassault Mirage IIIE/RD/O Kits
AD48002 – Designed to be used on: Eduard 1:48 Dassault Mirage IIIC and IIICJ Kits
Kinetic 1:48 Dassault Mirage III/V Kits / Nesher Kits / IAI Kfir Kits and Atlas Cheetah Kits

Use cyanoacrylate glue
to bond the parts
together

*It is recommended to use a
primer prior to painting the
parts



Remove supports before
attempting to glue. Take note
of locator pins and slots

WARNING

- This is not a toy.
- These items are not suitable for children.
- Modelling experience is required.
- Always wear eye protection when cutting the resin off any supports.
- Do not breathe the resin dust in as it may be harmful to your health.
- It is recommended to wear breathing protection such as a face mask when handling and cutting/ grinding/ sanding resin.
- Not for consumption, keep away from children and animals.