



ARTMAN
DELTA

A passion for accuracy and detail

Matra JL-100 Rocket Pod Fuel Tanks

Building Instructions and Colour Callouts

Colour Callouts:

A - Rocket Nose and Centre Blast Sections

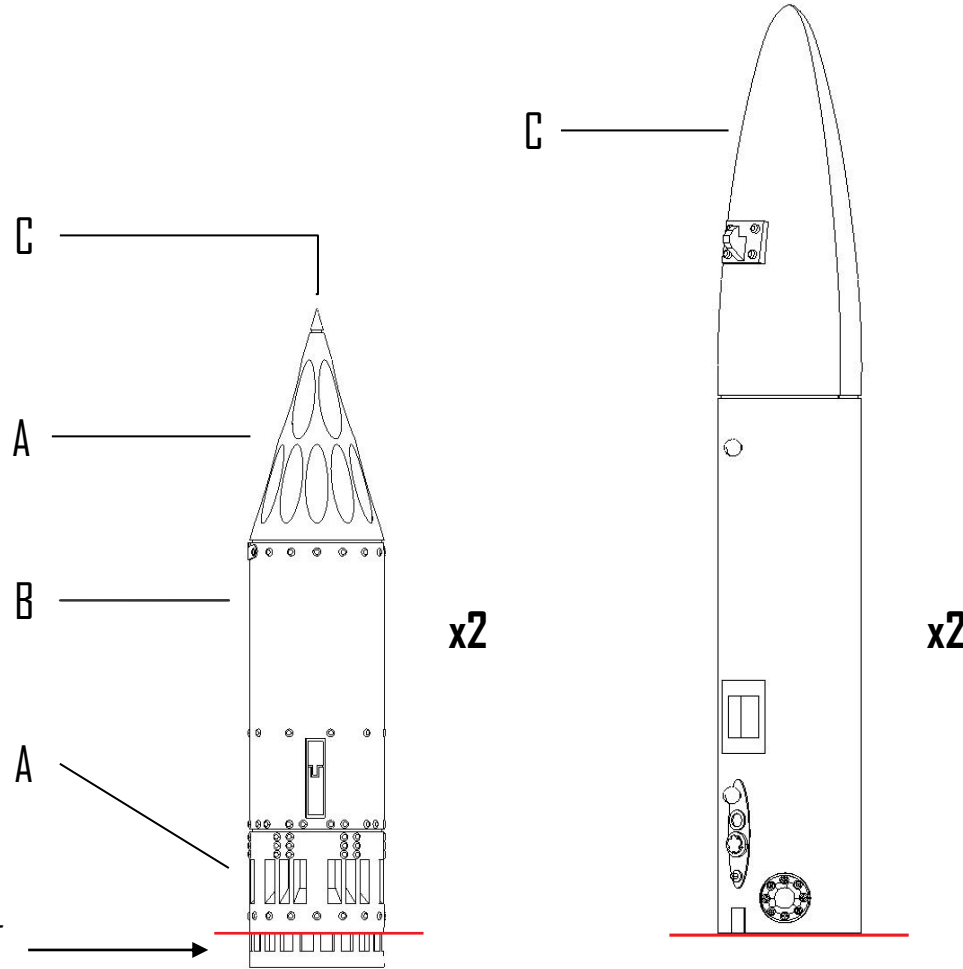
- Humbrol - 85
- Tamiya - X-18
- Mr. Color - C33
- Vallejo - 70.950

B - Rocket Body Section

- Humbrol - 191 / 27002
- Tamiya - TS-83
- Mr. Color - C8
- Vallejo Metal Color - 77.716

C - Fuel Tank Section

- Humbrol - 56 / 27001
- Tamiya - AS-12
- Mr. Color - C8
- Vallejo Metal Color - 77.717



*Do not remove the plug
beneath the initial layer of
supports*

For in depth research,
information and photos, see the
ArtMan Delta Info Pack for the
Matra JL-100 Rocket Pod Fuel
Tanks on the **ArtMan Delta**
Facebook Page

Remove the print supports below the red lines



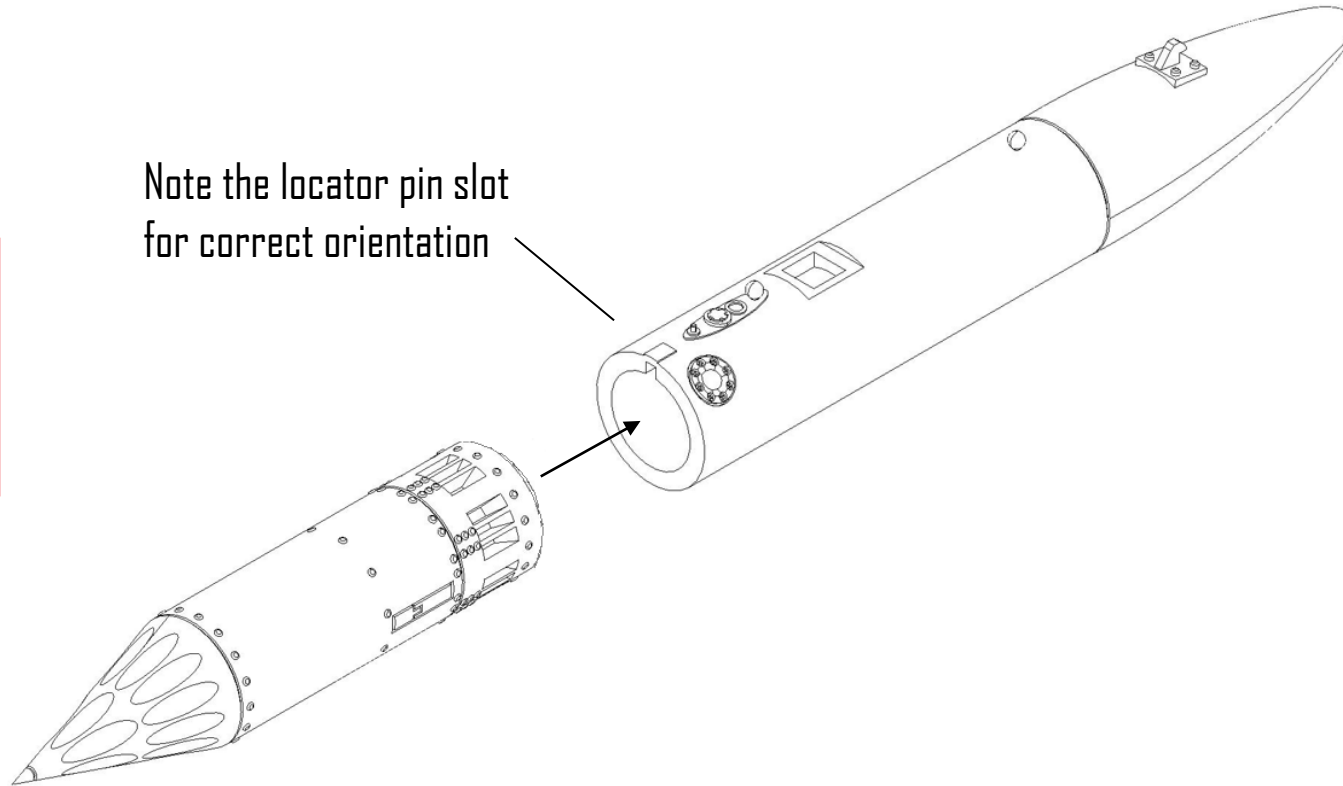
AD32001 – Designed to be used on: Italeri 1:32 Dassault Mirage IIIC and IIIE/R and reboxed Revell 1:32 Dassault Mirage IIIE/RD/O Kits
Trumpeter 1:32 English Electric Lightning Kits

AD48001 – Designed to be used on: Eduard 1:48 Dassault Mirage IIIC Kits
Kinetic 1:48 Dassault Mirage III Kits
Heller 1:48 Dassault Mirage III Kits
Airfix 1:48 English Electric Lightning Kits

Use cyanoacrylate glue
to bond the parts
together

*It is recommended to use a
primer prior to painting the
parts

Note the locator pin slot
for correct orientation



WARNING

- This is not a toy.
- These items are not suitable for children.
- Modelling experience is required.
- Always wear eye protection when cutting the resin off any supports.
- Do not breathe the resin dust in as it may be harmful to your health.
- It is recommended to wear breathing protection such as a face mask when handling and cutting/ grinding/ sanding resin.
- Not for consumption, keep away from children and animals.